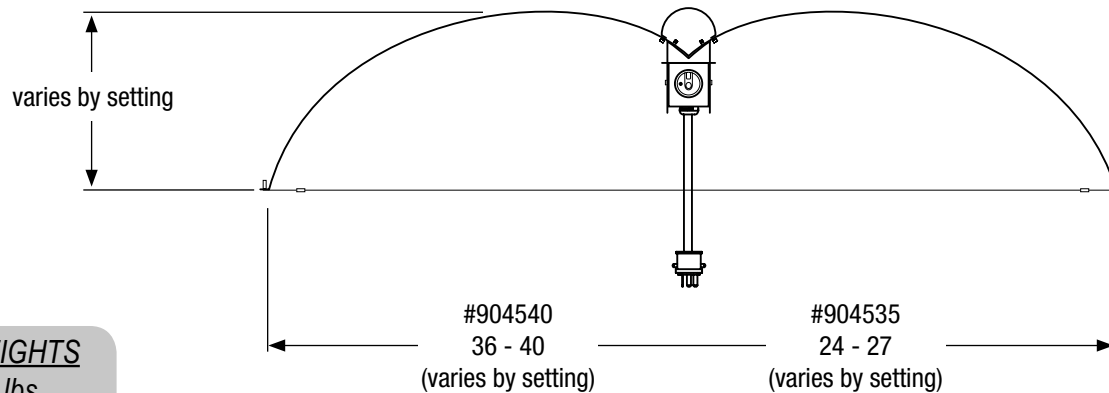
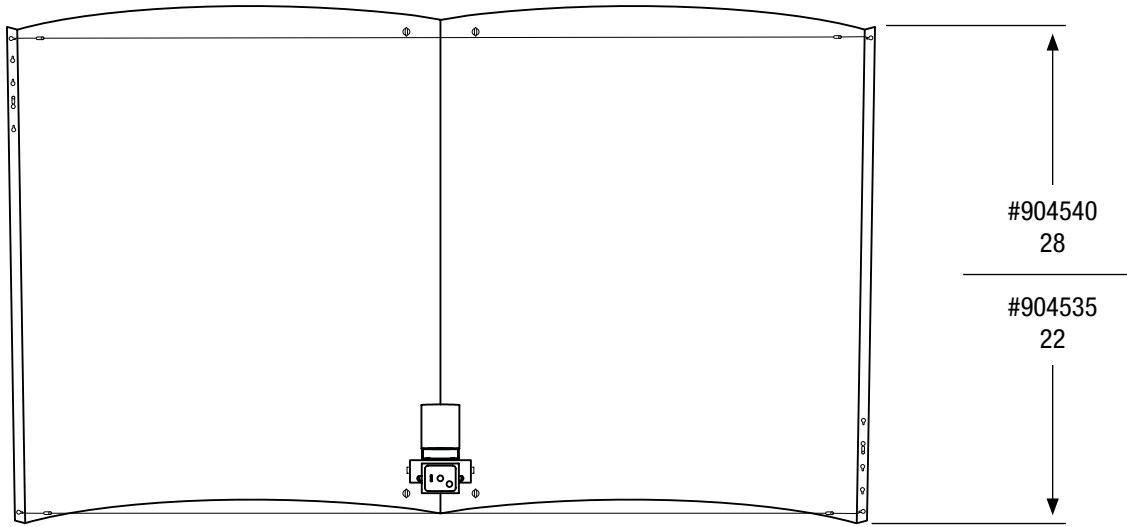


# SPECIFICATIONS

## Adjust-A-Wings® Avenger Reflectors Item #904540 (Large w/ Cord) & Item #904535 (Medium w/ Cord)



### REFLECTOR WEIGHTS

#904540 - 7.2 lbs

#904535 - 4.7 lbs

• = yes

•	ETL LISTED
	NOT ETL LISTED
<b>Tested to UL Standard #1598</b>	
	AIR-COOLED
	ACCEPTS GLASS
	HINGED GLASS FRAME
	DETACHABLE LAMP CORD
•	600 VOLT RATED CORD
•	FABRICATED IN USA*
•	5 YEAR WARRANTY
<b>BALLAST COMPATIBILITY</b>	
•	HPS
•	MH
<b>Max. Wattage: 1000</b>	
<b>LAMP COMPATIBILITY</b>	
•	HPS
•	MH
<b>Max. Wattage: 1000</b>	
<b>LAMP POSITION</b>	
•	HORIZONTAL
	VERTICAL
<b>LAMP SOCKET TYPE</b>	
	INTEGRATED DOUBLE-ENDED
•	INTEGRATED 5KV MOGUL BASE

\* with US and globally sourced parts